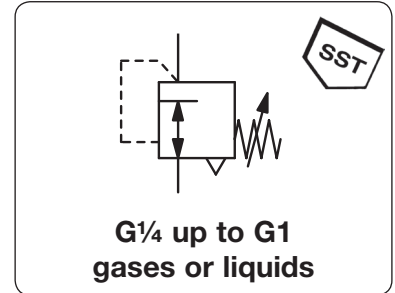


Pressure Regulator Made of Stainless Steel Throughout

REA

Description	Pressure regulator made of stainless steel throughout. Even when spindle is unscrewed the indicated minimum outlet pressure is existent.
Media	compressed air, gases or liquids
Supply pressure	see chart, max. 25 bar
Adjustment	by T-handle, with locknut
Relieving function	non-relieving
Gauge port	G $\frac{1}{4}$ on both sides of the body, one screw plug supplied
Mounting position	any
Temperature range	0 °C to 90 °C / 32 °F to 194 °F for NBR, for appropriately conditioned compr. air down to -20 °C / - 4 °F 0 °C to 120 °C / 32 °F to 248 °F for FKM, for appropriately conditioned compr. air down to -30 °C / -22 °F 0 °C to 150 °C / 32 °F to 302 °F for EPDM, for appropriately conditioned compr. air down to -30 °C / -22 °F
Material	Body: stainless steel 316L, mat. no. 1.4408 Diaphragm: FKM, optionally NBR/Buna-N, EPDM or PTFE



Dimensions			K _v	Flow	Supply	Connection	Pressure	Order
A	B	C	value	rate	pressure	thread	range	number
mm	mm	mm	(m ³ /h)	m ³ /h*1	l/min*1	G	bar	

SST pressure regulator							for liquids, supply pressure max. 8/25 bar, non-relieving, FKM		REA		
92	200	42	1.0	66	1100	8	G $\frac{1}{4}$	0.2...3.0	REA-02B		
								1.0...10	REA-02D		
								2.0...16	REA-02E		
								8	G $\frac{1}{2}$	0.2...3.0	REA-04B
										1.0...10	REA-04D
										2.0...16	REA-04E
122	250	49	4.0	252	4200	8	G $\frac{1}{2}$	0.2...3.0	REA-A4B		
								1.0...10	REA-A4D		
								2.0...16	REA-A4E		
								8	G $\frac{3}{4}$	0.2...3.0	REA-06B
										1.0...10	REA-06D
										2.0...16	REA-06E
8	G1	0.2...3.0	REA-08B								
		1.0...10	REA-08D								
		2.0...16	REA-08E								

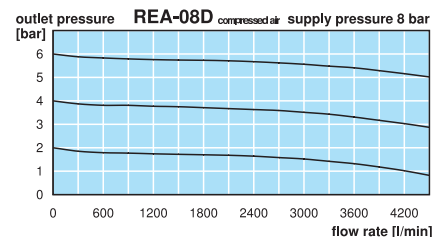
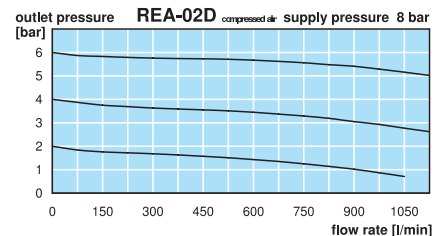
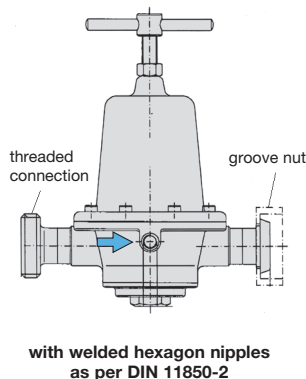
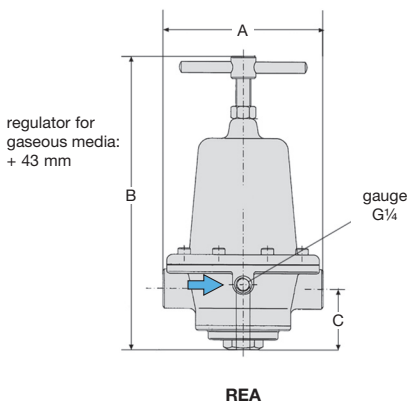


Special options, add the appropriate letter

gaseous media	non-relieving, height + 43 mm	REA-... U
NBR/Buna-N diaphragm		REA-... H
EPDM diaphragm	FDA-approved	REA-... E
PTFE diaphragm	FKM with PTFE coating and FKM o-ring	REA-... I
free of oil and grease	suitable for oxygen	REA-... L
flange connection*3	PN40, DN15 up to DN25	REA-... F
welded hexagon nipples*3	DIN 3239 / DIN 11850-2 / ISO 4200, DN 8 up to DN 25	REA-... A
milk pipe connection		REA-... M

Accessories, enclosed

pressure gauge	Ø 50 mm, 0...*2 bar, G $\frac{1}{4}$	for G $\frac{1}{4}$ and G $\frac{1}{2}$ (04)	MS5002-..*2
	Ø 63 mm, 0...*2 bar, G $\frac{1}{4}$	for G $\frac{1}{2}$ (A4) to G1	MS6302-..*2



*1 at 8 bar supply pressure, 6 bar outlet pressure and 1 bar pressure drop
*2 04 = 0...4 bar, 10 = 0...10 bar, 16 = 0...16 bar

*3 version to be indicated in clear text

Gauges: see chapter for measuring devices

PDF CAD
www.aircom.net

Order example:
REA-02B

